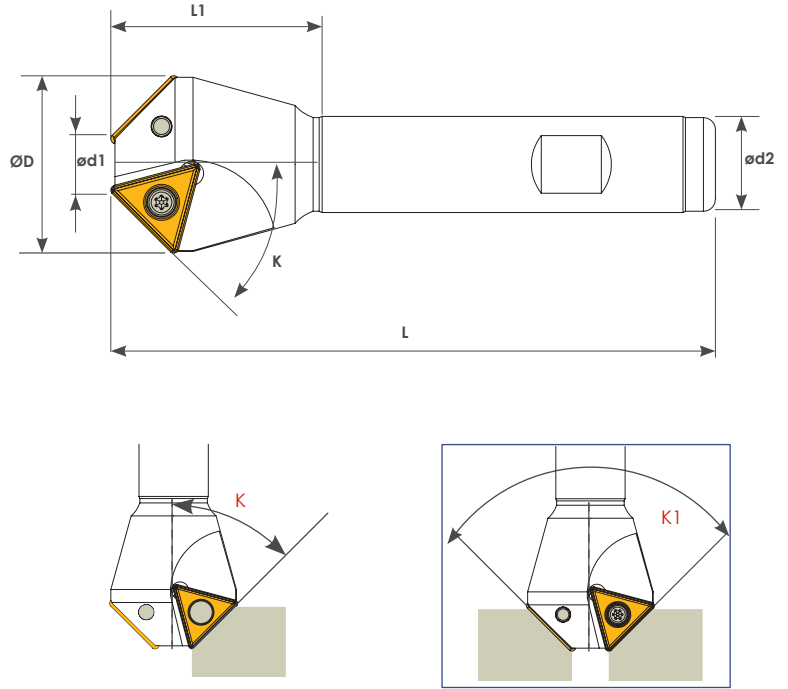


TCMT 1102 16T3 HAVŞA



Sipariş Kodu Order Code Best.-Nr.	Stok/Stock/Lager	Ürün Kodu Product Code Produkt-Code	Ölçüler (mm) Dimensions(mm) Abmessungen (mm)							Kullanılan Uç Insert WSP	Sıkma Cıvatası Clamp Screw Torx-Schraube	Anahtar Torx Key Torx-Schlüssel	
			ød1	ØD	Z	K	K1	ød2	L				L1
S335	●	02-16 Z01 K60° TC--11	2	16	1	60°	120°	16	100	35	TCMT 1102 ISO	TC 060 M2,5x5,5	T8
S334	●	04-15 Z01 K45° TC--11	4	15	1	45°	90°	16	100	35			
S339	●	10-31 Z02 K30° TC--16	10	31	2	30°	60°	16	100	35	TCMT 16T3 ISO	TC 067 M3,5x9	T15
S336	●	10-31 Z02 K45° TC--16	10	31	2	45°	90°	20	100	35			
S338	●	14-35 Z02 K45° TC--16	14	35	2	45°	90°	20	100	35			
S340	●	22-43 Z03 K45° TC--16	22	43	3	45°	90°	25	100	35			
S342	●	32-53 Z03 K45° TC--16	32	53	3	45°	90°	25	100	35			
S343	●	24-39 Z02 K30° TC--16	24	39	2	30°	60°	20	100	35			

● Stokta / In Stock / Lager ○ Sınırlı Stok / Limited Stock / Begrenzte Lagerhaltung
TCMT 1102-16T3 ISO'dur./ TCMT 11T3-16T3 is ISO. / Kompatible für ISO WP

Ölçüler (mm) Dimensions(mm) Abmessungen (mm)		TCMT 1102	
L	S		
11	2,38		

Ölçüler (mm) Dimensions(mm) Abmessungen (mm)		TCMT 16T3	
L	S		
16,6	3,97		