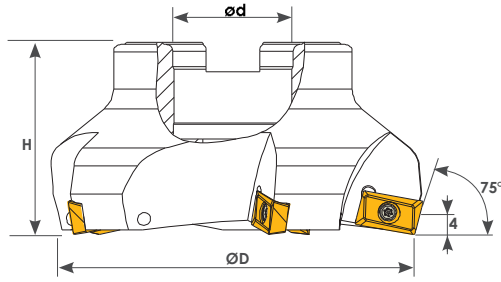


T54 F 75° APKT 1604

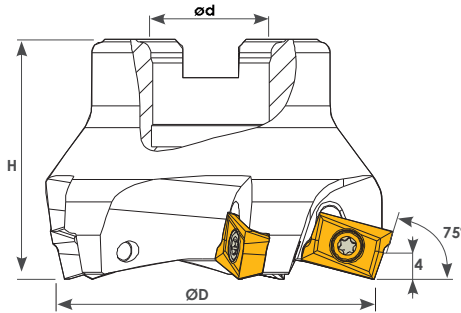


| Ölçüler (mm) Dimensions(mm) Abmessungen (mm) | | AP-- 1604 | AP-- 1003 |
|----------------------------------------------------|------|-----------|-----------|
| L | S | | |
| 16,40 | 4,76 | | |
| 10 | 3,18 | | |

| Sipariş Kodu Order Code Best.-Nr. | Stok/Stock/Lager | Ürün Kodu Product Code Produkt-Code | Ölçüler (mm) Dimensions(mm) Abmessungen (mm) | | | | Kullanılan Uç Insert WSP | Sıkma Civatası Clamp Screw Torx-Schraube | Anahtar Torx Key Torx-Schlüssel |
|-----------------------------------------|------------------|-------------------------------------------|----------------------------------------------------|----|---|----|--------------------------------|------------------------------------------------|---------------------------------------|
| | | | ØD | ød | Z | H | | | |
| T308 | ● | D063-22 Z04 AP--16 | 63 | 22 | 4 | 45 | | | |
| T310 | ● | D080-27 Z05 AP--16 | 80 | 27 | 5 | 52 | | | |
| T312 | ● | D100-32 Z06 AP--16 | 100 | 32 | 6 | 52 | | | |
| T313 | ● | D125-40 Z07 AP--16 | 125 | 40 | 7 | 62 | | | |
| T452 | ● | D063-22 Z06 AP--10 | 63 | 22 | 6 | 45 | AP-- 1003 KRLY | TC 63 M2,5x7 | T8 |

KRLY ucuna uygundur. / Compatible with KRLY insert. / Kompatible für KRLY WP

T56 F 75° ADKT 1505



| Ölçüler (mm) Dimensions(mm) Abmessungen (mm) | | ADKT 1505 | |
|----------------------------------------------------|------|-----------|--|
| L | S | | |
| 15,70 | 5,56 | | |

| Sipariş Kodu Order Code Best.-Nr. | Stok/Stock/Lager | Ürün Kodu Product Code Produkt-Code | Ölçüler (mm) Dimensions(mm) Abmessungen (mm) | | | | Kullanılan Uç Insert WSP | Sıkma Civatası Clamp Screw Torx-Schraube | Anahtar Torx Key Torx-Schlüssel |
|-----------------------------------------|------------------|-------------------------------------------|----------------------------------------------------|----|---|----|--------------------------------|------------------------------------------------|---------------------------------------|
| | | | ØD | ød | Z | H | | | |
| T530 | ● | D063-22 Z05 AD--15 | 63 | 22 | 5 | 45 | | | |
| T532 | ● | D080-27 Z06 AD--15 | 80 | 27 | 6 | 50 | | | |

● Stokta / In Stock / Lager ○ Sınırlı Stok / Limited Stock / Begrenzte Lagerhaltung
ISCR ucuna uygundur. / Compatible with ISCR insert. / Kompatible für ISCR WP